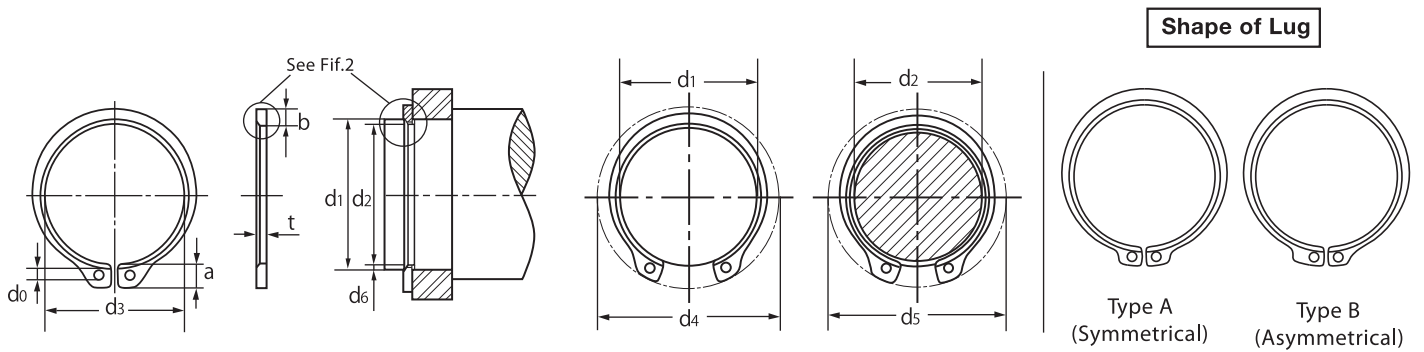


# Beveled Retaining Rings (External)



Shape of Lug

Type A (Symmetrical) Type B (Asymmetrical)

Unit: mm

| Size-No. | Ring dimension |      |       |      |       |      |       |      |                |                | Shape of Lug | Groove Dimension |       |       |       |      |                |      |
|----------|----------------|------|-------|------|-------|------|-------|------|----------------|----------------|--------------|------------------|-------|-------|-------|------|----------------|------|
|          | d <sub>3</sub> |      | t     |      | U     |      | a     | b    | d <sub>0</sub> | d <sub>1</sub> |              | d <sub>2</sub>   |       |       | m     |      | d <sub>6</sub> |      |
|          | Basic          | Tol. | Basic | Tol. | Basic | Tol. |       |      |                |                |              | Basic            | Tol.  | T.I.R | Basic | Tol. |                |      |
| NT-      | 30             | 27.9 | +0.25 | 1.3  | ±0.06 | 1.04 | ±0.03 | 4.9  | 3.3            | 1.9            | B            | 30               | 28.15 | 0     | 0.13  | 1.1  | +0.1           | 0.93 |
|          | 35             | 32.3 | -0.4  | 1.3  |       | 0.99 |       | 4.6  | 3.9            | 1.9            | B            | 35               | 32.55 | -0.1  | 0.13  | 1.1  | 0              | 1.23 |
|          | 50             | 46.2 | +0.35 | 1.6  | ±0.08 | 1.19 | ±0.04 | 6.2  | 5.1            | 3.12           | B            | 50               | 46.8  | 0     | 0.13  | 1.3  | +0.15          | 1.6  |
|          | 60             | 55.8 | +0.35 | 2    |       | 1.52 |       | 6.75 | 5.7            | 3.12           | A            | 60               | 56.2  | -0.15 | 0.15  | 1.7  | 0              | 1.9  |

Material = Carbon spring steel. Hardness = HRC 44 ~52. Finish = Phosphate coating (ACP)

## Notes

- Our products with little marketability may not be in stock. When employing our products, consult with us for their availability.

Fig. 1

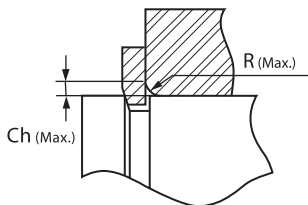
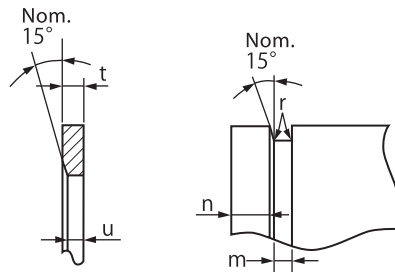


Fig. 2



| Size-No. | r (Max.) |
|----------|----------|
| 50 Under | 0.12     |
| 52 Above | 0.25     |

Unit: mm

| Size-No. | DATA                            |   |  |           |                       |          |     |
|----------|---------------------------------|---|--|-----------|-----------------------|----------|-----|
|          | Clearance diameter              |   | Maximum allowable corner radii and chamfers of retained parts (Fig. 1) |           | Rigid end-play tak-up | n (Min.) |     |
|          | When sprung into d <sub>1</sub> | When sprung into d <sub>2</sub> (d <sub>6</sub> /2) | R (Max.)   | Ch (Max.) |                       |          |     |
| NT-      | 30                              | 40.8  | 39.8   | 1.6       | 1                     | 0.12     | 1.4 |
|          | 35                              | 45.9  | 44.6   | 2         | 1.2                   | 0.16     | 1.8 |
|          | 50                              | 64.4  | 62.8   | 2         | 1.2                   | 0.21     | 2.4 |
|          | 60                              | 75.6  | 73.7   | 2.5       | 1.5                   | 0.25     | 2.9 |