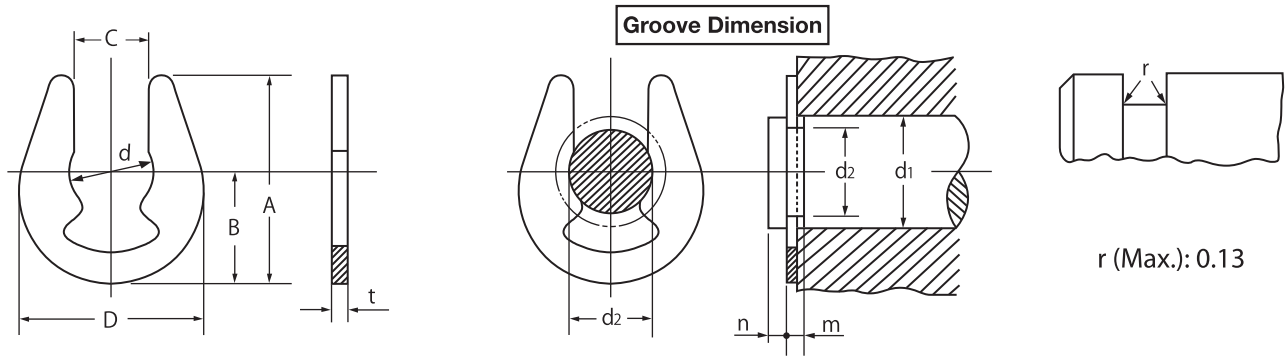


U-Rings



Unit : mm

| Size-No. | Ring dimension | | | | | | | | | Groove dimension | | | | | | |
|----------|----------------|-------|------|------|-------|------|------|-------|-------|-------------------------|-------|----------------|-------|-------|------|------|
| | d | | A | D | C | | B | t | | Class of d ₁ | | d ₂ | | m | | n |
| | Basic | Tol. | | | Basic | Tol. | | Basic | Tol. | Over | Under | Basic | Tol. | Basic | Tol. | Min. |
| UTW- 3.2 | 3.2 | | 8.7 | 8 | 2.8 | 0 | 4.6 | 0.6 | | 4 | 5 | 3.26 | | 0.7 | | 1 |
| 4 | 4 | +0.03 | 10 | 9 | 3.6 | -0.2 | 5.3 | 0.7 | ±0.04 | 5 | 7 | 4.08 | +0.05 | 0.8 | +0.1 | 1.4 |
| 5 | 5 | -0.1 | 12.8 | 11.6 | 4.4 | -0.2 | 6.8 | 0.7 | | 6 | 8 | 5.1 | 0 | 0.8 | | 1.4 |
| 6 | 6 | +0.05 | 14.8 | 13.5 | 5.3 | 0 | 8 | 0.7 | ±0.05 | 7 | 9 | 6.1 | +0.08 | 0.8 | 0 | 1.4 |
| 7 | 7 | -0.15 | 17 | 15 | 6.2 | -0.3 | 9 | 0.9 | | 8 | 11 | 7.1 | 0 | 1 | | 1.4 |
| 8 | 8 | ±0.05 | 19.5 | 17.5 | 7.1 | -0.3 | 10.5 | 1 | | 9 | 12 | 8.1 | 0 | 1.1 | | 1.4 |

Material = Carbon spring steel. Hardness = HRC44 ~52. Finish = Phosphate coating (ACP)

Notes

1. Our products with little marketability may not be in stock. When employing our products, consult with us for their availability.