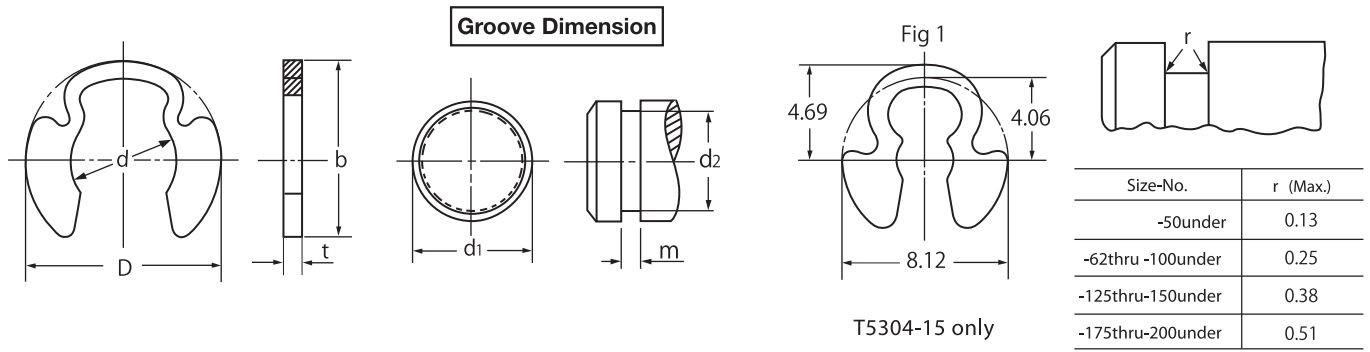


K-Rings (Manufactured on request)



Unit : mm

Size-No.	Shaft diameter	Ring dimension						Groove dimension				
		Inside dia.		Thickness		Out side dia. D (Approx.)	Height b (Approx.)	Diameter		Width		
		d ₁	d	Tol.	t			Tol.	d ₂	Tol.	m	Tol.
T5304-15	4 ~ 4.5	2.79	±0.08	0.6	+0.1 -0.05	Fig1	8	3.05	±0.1	0.75	+0.15 0	
18	4.5 ~ 5.5	3.56		0.6		10.16	9.14	3.76		0.75		
25	6 ~ 7	4.78		0.6		12.24	10.92	5.33		±0.13		0.75
31	7.5 ~ 8.5	6.35		0.6		14.94	13.11	6.91		±0.15		0.75
37	9 ~ 10.5	7.92	0.9	17.27	15.09	8.41	1.05					
43	11 ~ 12	9.53	±0.1	0.9	±0.2	19.1	16.76	9.91	1.05			
50	12 ~ 13	10.31		1		20.98	18.34	11.18	1.15			
62	15 ~ 17	12.7	±0.13	1	±0.2	24.54	21.54	13.49	1.15			
75	18 ~ 20	15.1		1.2		27.81	24.64	16.05	1.4	+0.2 0		

Material = Carbon spring steel. Hardness = HRC44 ~55. Finish = Phosphate coating (ACP)