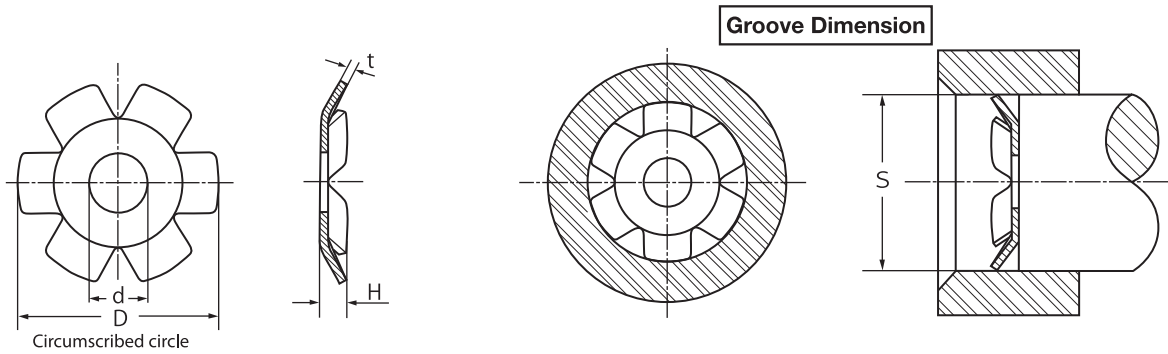


# Self-locking Internal Nuts (Manufactured on request)



Unit : mm

Size-No.	Nut					Groove dimension	
	D		d	H (Ref.)	t	S	
	Basic	Tol.				Basic	Tol.
RPN- 6	6.2	±0.1	1	1	0.3	6	+0.03
8	8.2		1.8	1.2	0.3	8	-0.06
10	10.2		3	1.4	0.4	10	±0.03

Material = Carbon spring steel. Hardness = HRC40 ~50. Finish = Phosphate coating (ACP)

## Notes

1. It should be noted that if the retained shaft is rigid or it is applied with a finish that produces a hard coating (Nickel plating, Chrome plating), the Nut may be unserviceable.