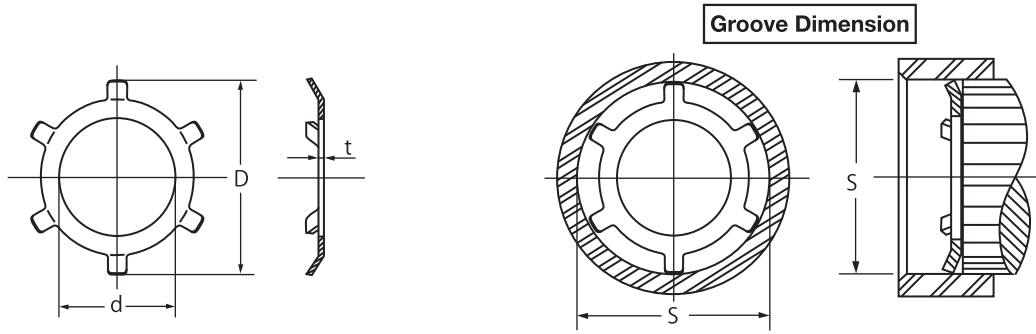


Circular Internal Nuts



Unit : mm

Size-No.	Ring dimension					Groove dimension		
	D		d		t	Nose. of Teeth	S	
	Basic	Tol.	Basic	Tol.			Basic	Tol.
CRTW- 6	6.2	0 -0.1	2.2	±0.2	0.25	6	6	±0.03
8	8.2		3.6		0.25	6	8	
10	10.2		5		0.25	6	10	
12	12.2		6.6		0.25	6	12	
14	14.2		8.2		0.25	6	14	
16	16.2		9.8		0.25	6	16	
18	18.2		11		0.4	8	18	

Material = Carbon spring steel. Hardness = HRC40 ~50. Finish = Phosphate coating (ACP)

Material = Stainless spring steel.

Notes

1. It should be noted that if the retained shaft is rigid or it is applied with a finish that produces a hard coating (Nickel plating, Chrome plating), the Nut may be unserviceable.
2. Our products with little marketability may not be in stock. When employing our products, consult with us for their availability.