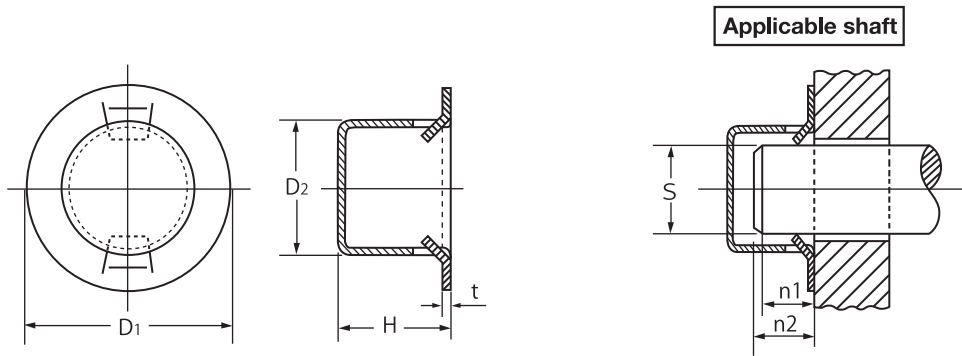


Cap Nuts (F-Type)



Unit: mm

Size-No.	Nut					Applicable shaft					
	D1		D2	H		t	S		n 1 (Min.)	n 2 (Max.)	
	Basic	Tol.	Basic	Basic	Tol.		Basic	Tol.			
WS-	5	11.5	±0.2	6	5	±0.3	0.4	5	±0.05	3	4
	6	12		7.1	5		0.45	6		3	4
	8	14.3		9.3	7.3		0.5	8		3	6

Material = Carbon spring steel. Hardness = HRC40 ~50. Finish = Nickel plating

Notes

1. It should be noted that if the retained shaft is rigid or it is applied with a finish that produces a hard coating (Nickel plating, Chrome plating), the Nut may be unserviceable.
2. Our products with little marketability may not be in stock. When employing our products, consult with us for their availability.