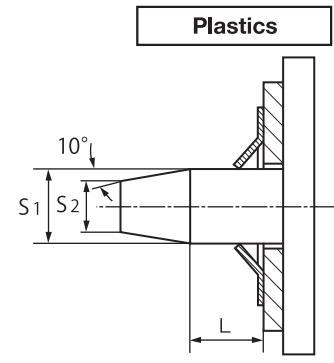
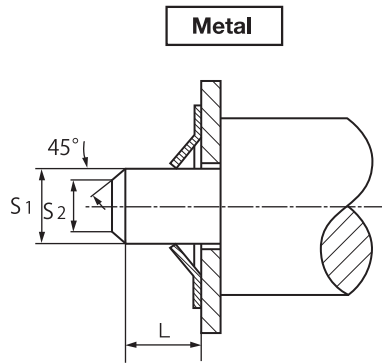
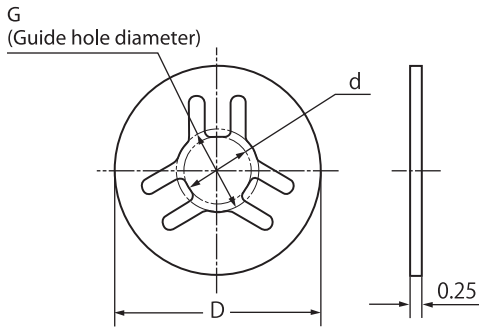


Flat Push Nuts



Unit: mm

Size-No.	Flat Push Nut							Applicable stud ※1			
	d		D		G		Nos. of Teeth	Metal & Plastics			Approx. 3
	Basic	Tol.	Basic	Tol.	Basic	Tol.		S1(mm)	S2(mm)	L (mm)	
FSPN- 2	1.6	±0.05	7	±0.2	2.2	±0.05	3	2	+0.1	1.5	
3	2.6		8		3.2		3	-0.03	2		
4	3.6		9		4.2		4	(+0.1)※2	3		
5	4.6		10		5.2		5	0	4		

Material = Stainless spring steel (SUS304-CSP-3/4H) . Hardness = HRC31 and over (HV310 and over)

Notes

1. Type of packing: Stack (500 pieces per stack).
2. The desired hardness of the metal shaft ※1 is HV200 or less. When rigid shafts are to be applied, consult with us.
3. The tolerance value in parentheses ※2 is for plastic material.
4. Our products with little marketability may not be in stock. When employing our products, consult with us for their availability.