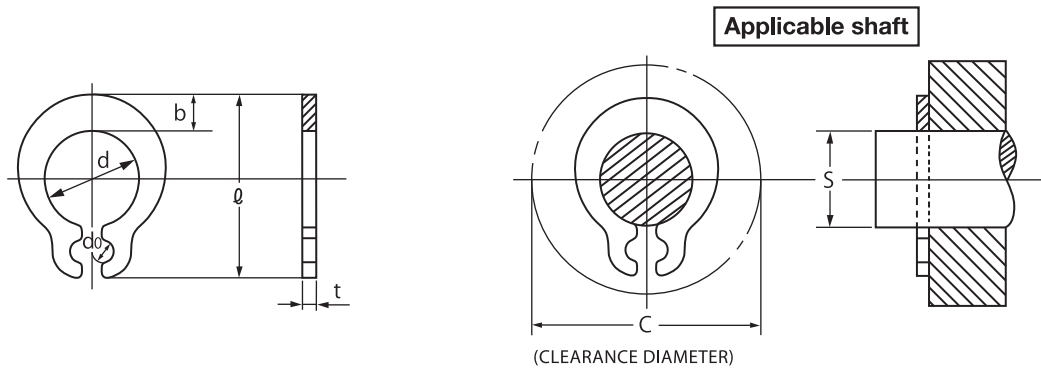


Grip Type Retaining Rings



Unit: mm

Size-No.	Ring dimension							C Max.	Applicable shaft		
	d		b	φ (Approx.)	do	t			S		
	Basic	Tol.				Basic	Tol.		Basic	Tol.	
GTW-	1.5	1.4	± 0.05 ± 0.08	0.75	3.8	0.9	0.4	± 0.03	5.3	1.5	± 0.02
	2	1.9	± 0.03 ± 0.1	1	4.8	0.9	0.6	± 0.04	6.4	2	
	2.5	2.35	$+0.05$ -0.08	1.2	5.4	0.9	0.6		6.8	2.5	
	3	2.85	± 0.05 ± 0.1	1.4	6.3	0.9	0.6		7.7	3	
	4	3.8	± 0.05 ± 0.1	1.8	8.4	1.2	0.8		10.3	4	± 0.03
	5	4.75	± 0.08	2.2	9.8	1.2	0.8	11.4	5		
	6	5.7	± 0.08	2.4	11.5	1.4	1	13.5	6		
	7	6.7	± 0.1	2.7	12.8	1.4	1	± 0.05	14.8	7	± 0.05
	8	7.7	± 0.1	3	14.1	1.4	1	15.8	8		
9	8.65	± 0.1	3.3	16.6	2	1.2	± 0.06	19.8	9		

Material = Carbon spring steel. Hardness = HRC44 ~52. Finish = Phosphate coating (ACP)

Notes

1. Our products with little marketability may not be in stock. When employing our products, consult with us for their availability.