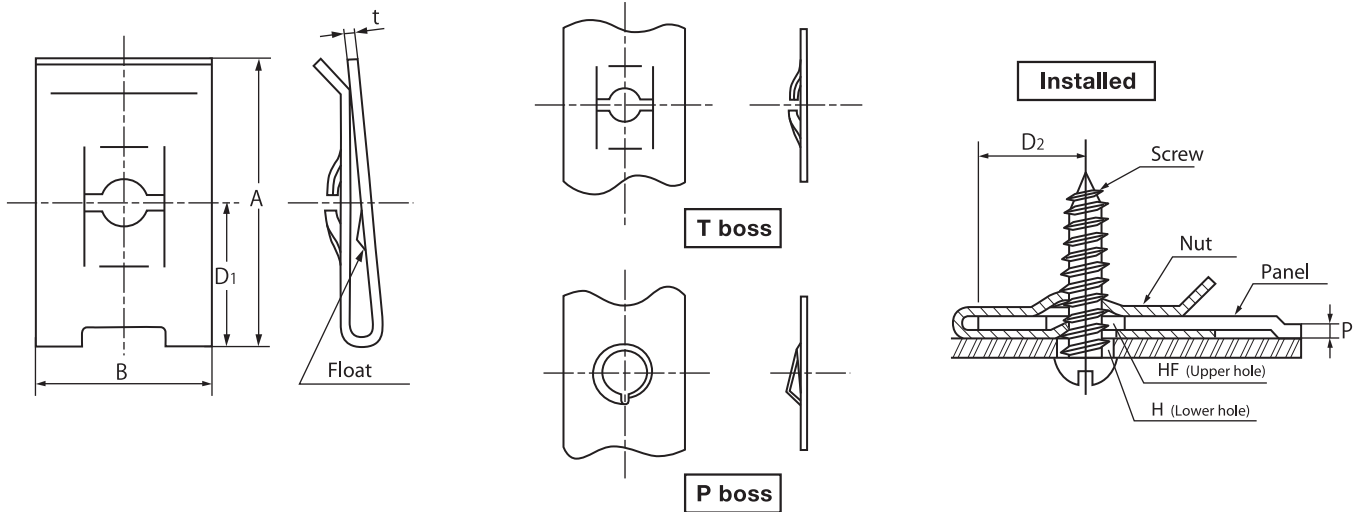


U-Type Plate Nuts (Screw type)



Unit: mm

Size-No.	Applicable screw see note 1	Nut dimension				Panel size					Remarks		
		A	B	D ₁	t	P		D ₂ Max.	H	H F	Boss	Float	Hardness (HRC)
						Min.	Max.						
USN- 3001	M3 × 0.5	18	11.2	9	0.3	0.6	1	7.5	4	5.5	T		
3006	M3 × 0.5	11.5	8	6	0.3	0.6	1.2	4.5	4	4	P	Without	SUS
3012	3 - 24-thread	11.5	8	6	0.45	0.6	1.2	4.5	4	4	P	Without	SUS
4001	M4 × 0.7	20	12.7	10	0.4	0.7	1.2	8	5	7	T		
4004	4 - 16-thread	20	12.7	10	0.8	0.8	1.5	8	5	7	T		
4005	4 - 16-thread	20	12.7	10	0.8	1	1.6	8	5	6	P	Without	
4006	4 - 16-thread	16.3	11	8.3	0.6	1	1.6	6.5	5	7	T		
4007	4 - 16-thread	20	12.7	13	0.45	2	2.7	10	5	6	T	Without	
4024	4 - 16-thread	17	11	9.1	0.6	0.7	1.6	7	5	7	T	Without	
4026	4 - 16-thread	16	11	8	0.5	2	2.5	6	5	7	P		SUS
4031	4 - 18-thread	19	9	13	0.45	2	3	10	5	6	P	Without	
4037	M4 × 0.7	18	9	12	0.4	1	1.2	10	5	6	P	Without	SUS
4048	4 - 16-thread	24	11	17	0.6	0.7	1.6	14.5	5	7	T		
5001	M5 × 0.8	20	12.7	10	0.45	0.7	1.2	8	6.5	8	T		
5003	5 - 12-thread	20	13	11.5	0.7	1	2.3	9.5	6.5	7	T	Without	
5004	5 - 16-thread	19.6	13	11.6	0.6	0.7	1.5	10	6.5	8	P		
5008	5 - 16-thread	32.2	12.7	22.2	0.7	1	2.6	19	6.5	8	P		
5016	5 - 16-thread	16.2	12.7	8.7	0.7	0.8	1.6	7	6.5	6.5	P	Without	
5017	M5 × 0.8	21	12.7	11.5	0.4	1.3	2	9	6.5	6.5	T	Without	
6001	M6 × 1	20	12.7	10	0.5	0.7	1.2	8	7.5	9.5	T		
6002	6 - 10-thread	21.8	12.7	11.3	0.8	0.7	1.2	10	7.5	7.5	P	Without	

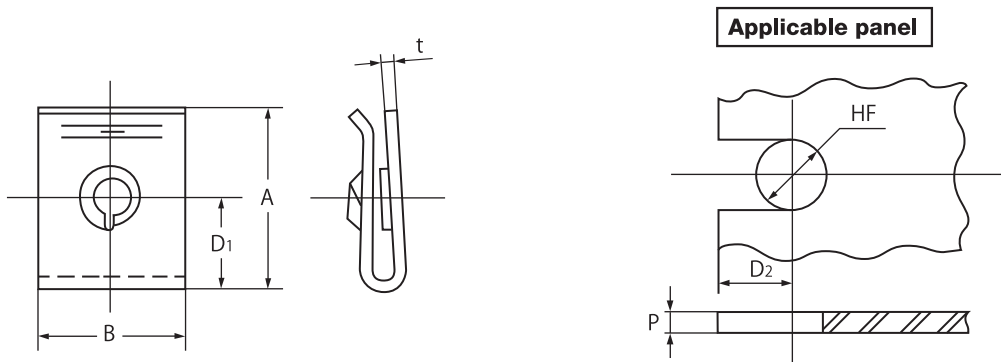
Material = Carbon spring steel. Hardness = HRC40 ~50.

Material = Stainless steel for spring .

Notes

1. Refer to the JIS B 1007 for the thread size.
2. Our products with little marketability may not be in stock. When employing our products, consult with us for their availability.

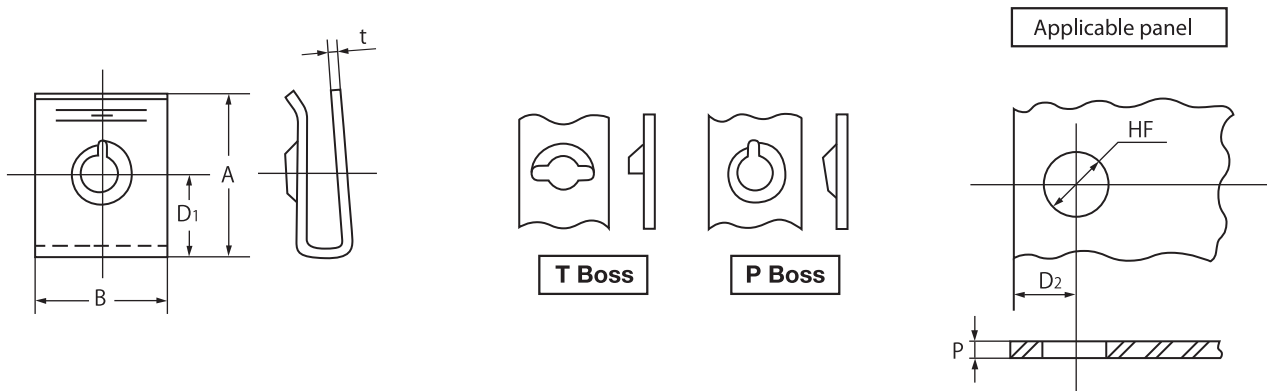
U-Type Plate Nuts (Screw type)



Unit: mm

Size-No.	Applicable panel screw see note 1	Nut dimension				Applicable panel						
		A	B	D1	t	P		D2 Max.	H	HF	Material	Boss
						Min.	Max.					
USN- 4009	M4 × 0.7	11.4	11	5.9	0.4	0.7	0.9	5	4.5	6	SUS	P
4015	M4 × 0.7	12.4	11	5.9	0.4	2.5	2.8	4.5	4.5	6	SUS	P
4035	4 - 16-thread	12.4	11	5.9	0.4	0.7	0.9	5	4.5	6	SUS	P
4036	4 - 16-thread	12.4	11	5.9	0.4	2.5	2.8	4.5	4.5	6	SUS	P

Material = Stainless steel for spring (SUS304-CSP-3/4H). Hardness: HRC31 and over (HV310 and over).



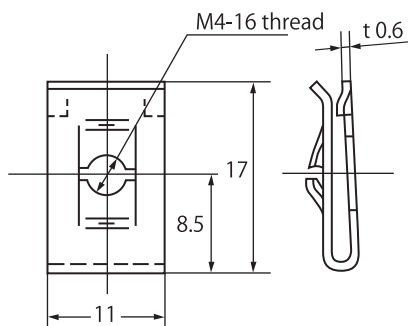
Unit: mm

Size-No.	Applicable panel screw see note 1	Nut dimension				Applicable panel						
		A	B	D1	t	P		D2 Max.	H	HF	Material	Boss
						Min.	Max.					
USN- 4043	4 - 18-thread	10	10	5.5	0.5	2.6	2.7	4.5	5	5		T
5021	5 - 12-thread	20.5	17	9	0.7	6	7	8	6	7	SUS	P
5023	5 - 16-thread	14.5	11	8.6	0.6	2	3.5	7	6	6		P
5026	5 - 16-thread	11	10	6	0.5	2.6	2.7	5	6	6		T

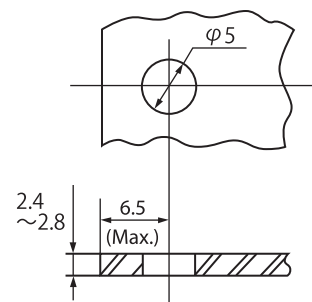
Material = Carbon spring steel.

Material = Stainless steel for spring (SUS304-CSP-3/4H).

USN-4046



Applicable panel



Notes

1. Refer to the JIS B 1007 for the thread size.
2. Our products with little marketability may not be in stock. When employing our products, consult with us for their availability.