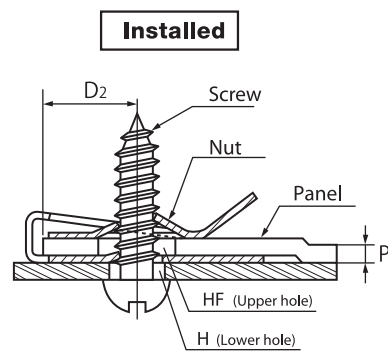
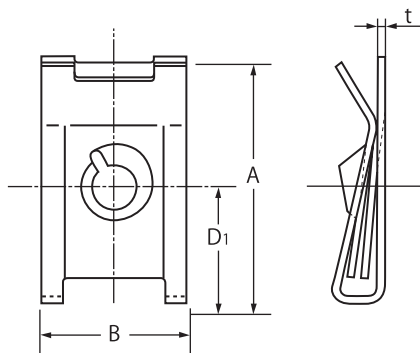


U-Type Wide Panel Nuts (Screw type)



Unit: mm

Size-No.	Applicable panel screw see note 1	Nut dimension				Applicable panel					Remarks
		A	B	D ₁	t	P		D ₂ Max.	H	HF	
						Min.	Max.				
WUSN- 4039	4 - 18-thread	21.6	12.7	10.1	0.6	0.7	2.5	8	5	7	
4044	4 - 18-thread	16.6	13.5	8.6	0.6	0.6	2	7	5	6	Without Float
5022	5 - 16-thread	21.7	12.7	10.2	0.7	0.7	3.1	8	6	8	
5025	5 - 16-thread	20.6	13.5	9.5	0.6	0.6	3.8	8	6	7	Without Float
5029	5 - 16-thread	21.7	12.7	10.2	0.7	2	3	8	6	7	Without Float

Material = Carbon spring steel. Hardness = HRC40 ~50.

Notes

1. Refer to the JIS B 1007 for the thread size.
2. Our products with little marketability may not be in stock. When employing our products, consult with us for their availability.