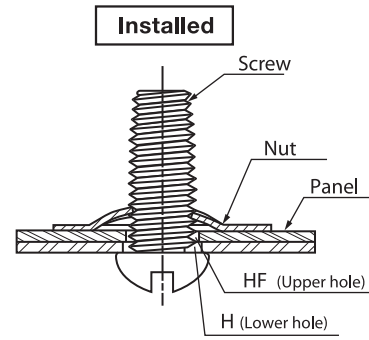
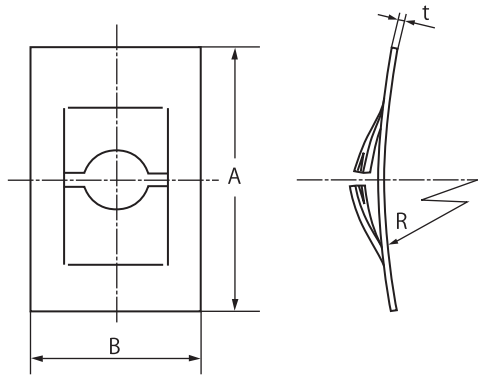


F-Type Plate Nuts



Unit : mm

Size-No.	Thread size Note 1	Nut				Applicable panel		
		A	B	R	t	H	HF	
FSN-	3001	M3 × 0.5	16	10	40	0.3	3.2	4
	4001	M4 × 0.7	20	13	50	0.4	4.3	5
	5001	M5 × 0.8	20	13	50	0.45	5.3	6
	6001	M6 × 1	20	13	50	0.5	6.4	7

Material = Carbon spring steel. Hardness = HRC40 ~50

Notes

1. Refer to the JIS B 1007 for the thread size.
2. Our products with little marketability may not be in stock. When employing our products, consult with us for their availability.