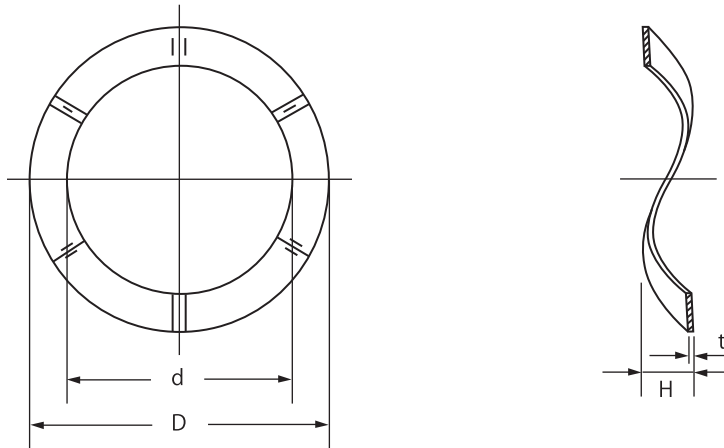


# Wave washer



Unit: mm

Size-No.	d		D		H		t		
	Basic	Tol.	Basic	Tol.	Basic	Tol.	Basic	Tol.	
WW- 4	4.3	+0.3 -0.15	8	0 -0.5	1.5	+0.5 0	0.2	±0.02	
5	5.4		9		1.5		0.3		
6	6.4		11		1.5		0.3		
8	8.5		12.5		2		0.3		
10	10.5		14.5		2		0.3		
12	12.5		17		2.5	+0.7 0	0.3		
14	14.5		20		2.5		0.3		
16	16.7		22.5		2.5		0.3		
18	18.7		26		3		0.3		
20	20.7		29.1		3		0.3		
23	23.5	+0.5 -0.3	31	0 -0.8	3.5	+1 0	0.3	±0.025	
26	26.4		34.2		3.5		0.3		
30	30.4		39.3		3.5		0.3		
32	33.9		46		4.5		0.3		
38	39		51		5		0.3		
40	40.6	+0.7 -0.5	53.5	0 -1.2	5	+1 -0.5	0.3		±0.03
46	47.5		61		5.5		0.4		
50	51.4		67.5		5.5		0.4		
53	54		69.8		6		0.45		
60	61.9		79		6.5		0.45		

Material = Carbon spring steel. Hardness = HRC40 ~50. Finish = Phosphate coating (ACP).

## Notes

1. The value d is the diameter of inscribed circle. The value D is the diameter of circumscribed circle.
2. The value H is a dimension when three threads are flush with each other with parallel two planes compressed.
3. Our products with little marketability may not be in stock. When employing our products, consult with us for their availability.